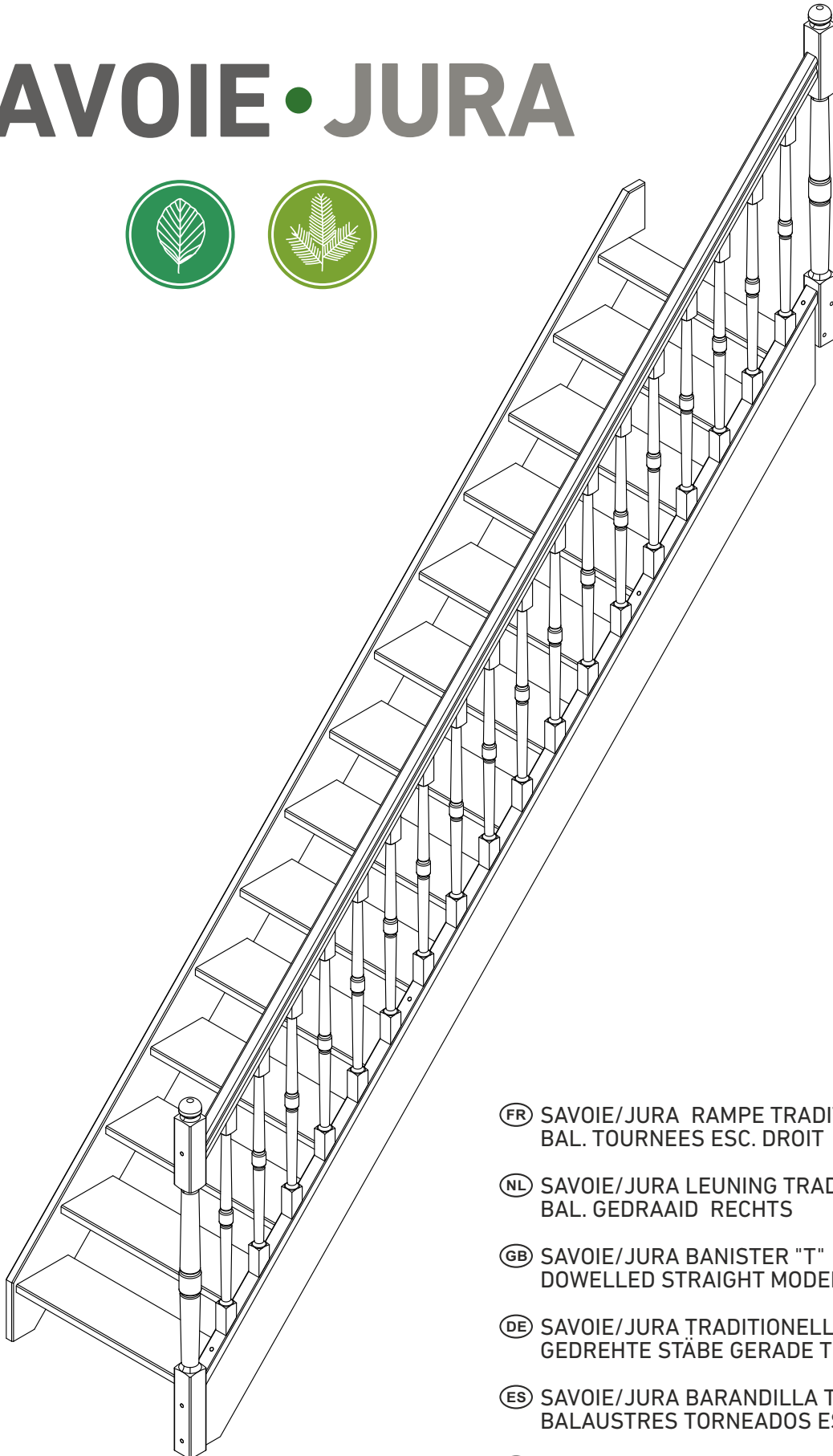




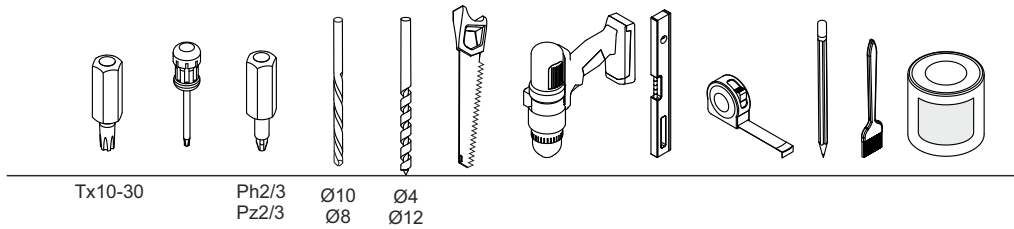
SAVOIE • JURA



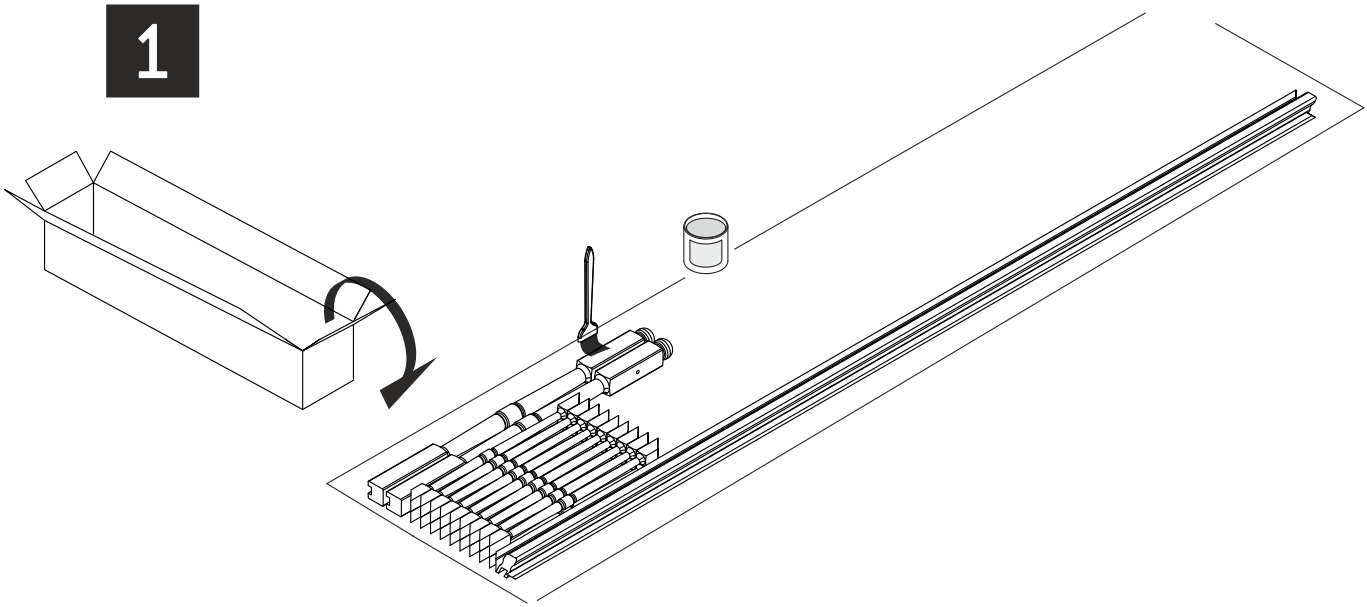
- (FR) SAVOIE/JURA RAMPE TRADITIONELLE "T"
BAL. TOURNEES ESC. DROIT
- (NL) SAVOIE/JURA LEUNING TRADITIONEEL "T"
BAL. GEDRAAID RECHTS
- (GB) SAVOIE/JURA BANISTER "T"
DOWELLED STRAIGHT MODERN STAIR
- (DE) SAVOIE/JURA TRADITIONELLES GELÄNDER "T"
GEDREHTE STÄBE GERADE TREPPE
- (ES) SAVOIE/JURA BARANDILLA TRADICIONAL "T"
BALAUSTRES TORNEADOS ESC. RECTA
- (RO) SAVOIE/JURA RAMPA "T" STRUNJITA
MODEL MODERN SCARA DREAPTA

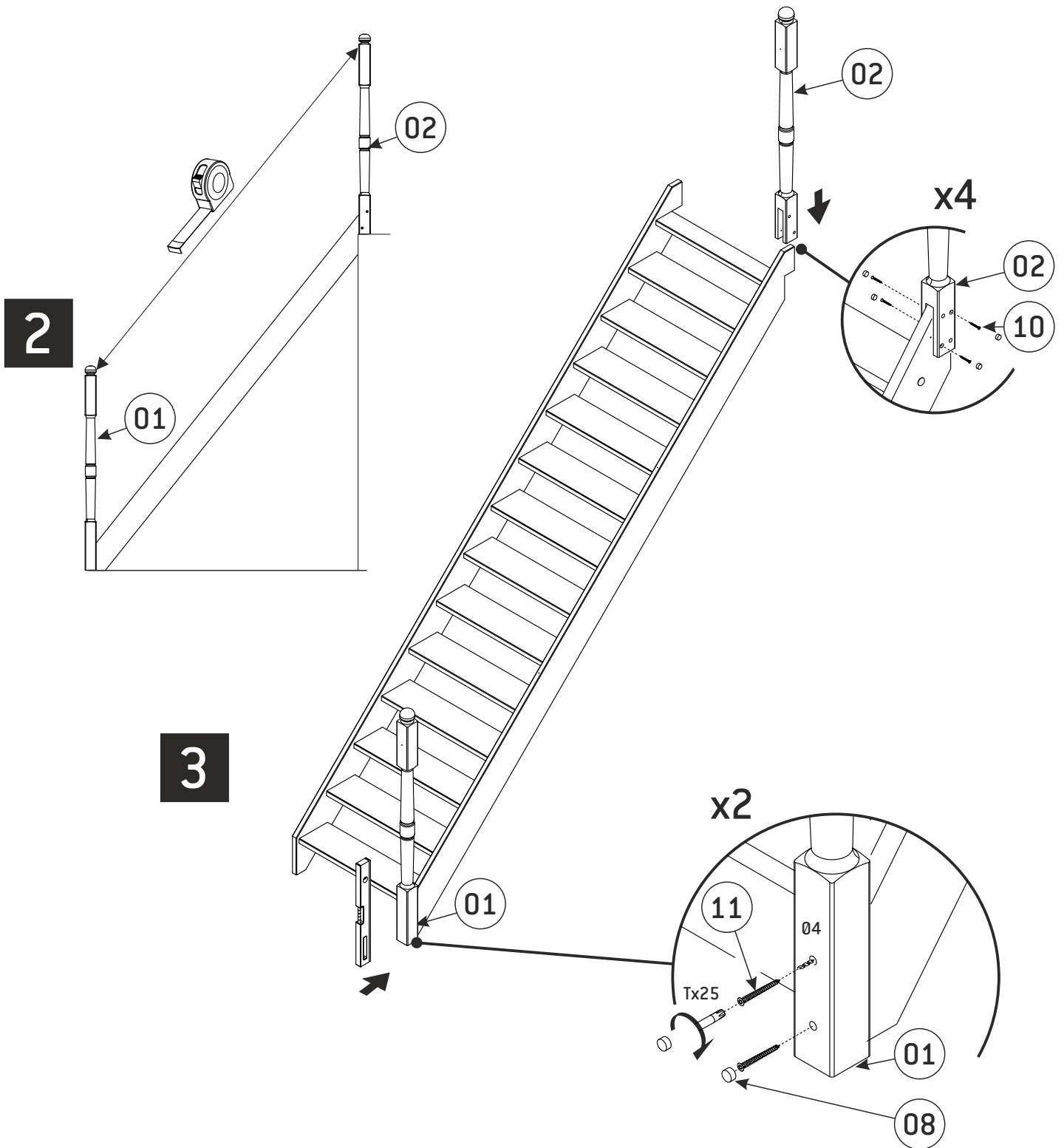


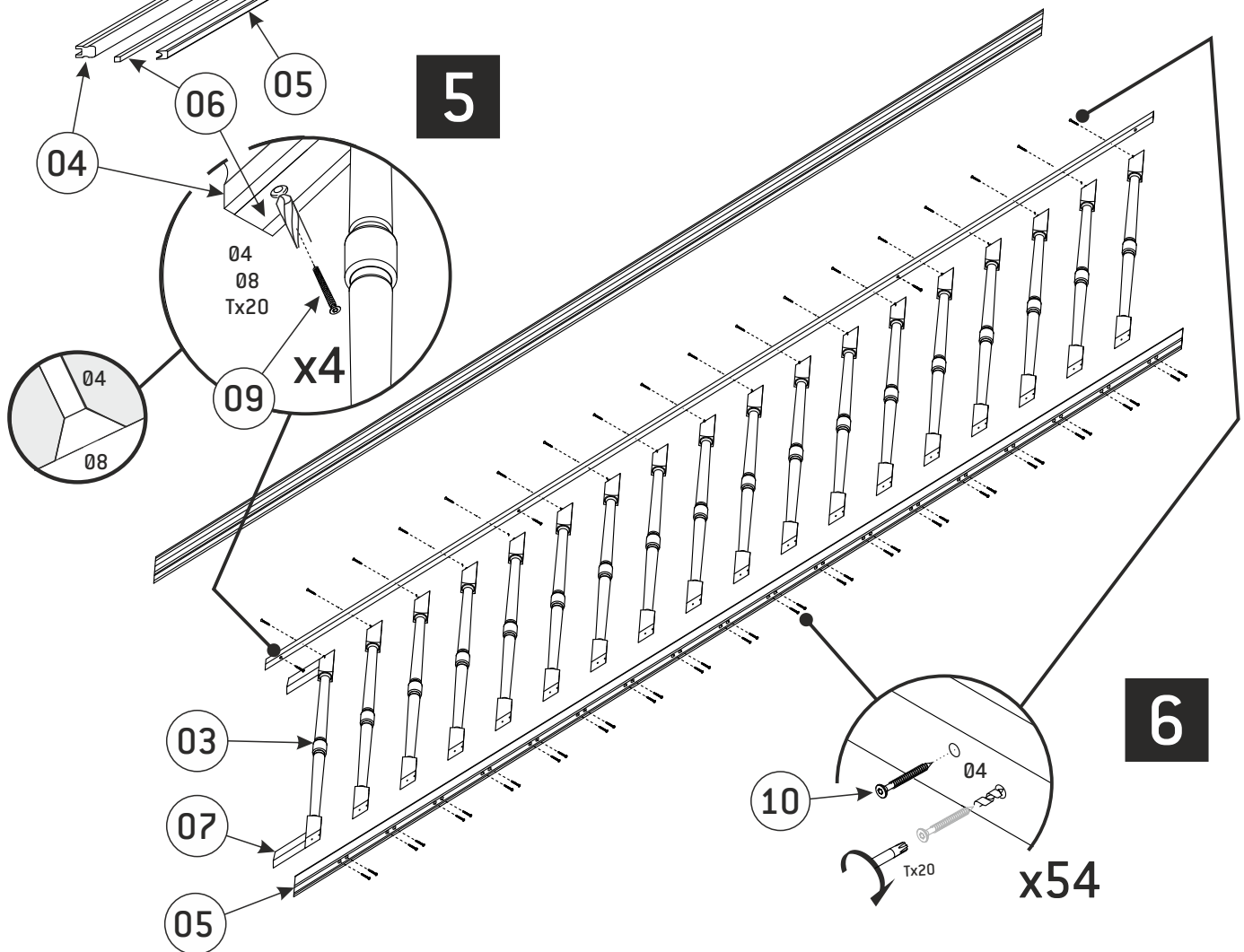
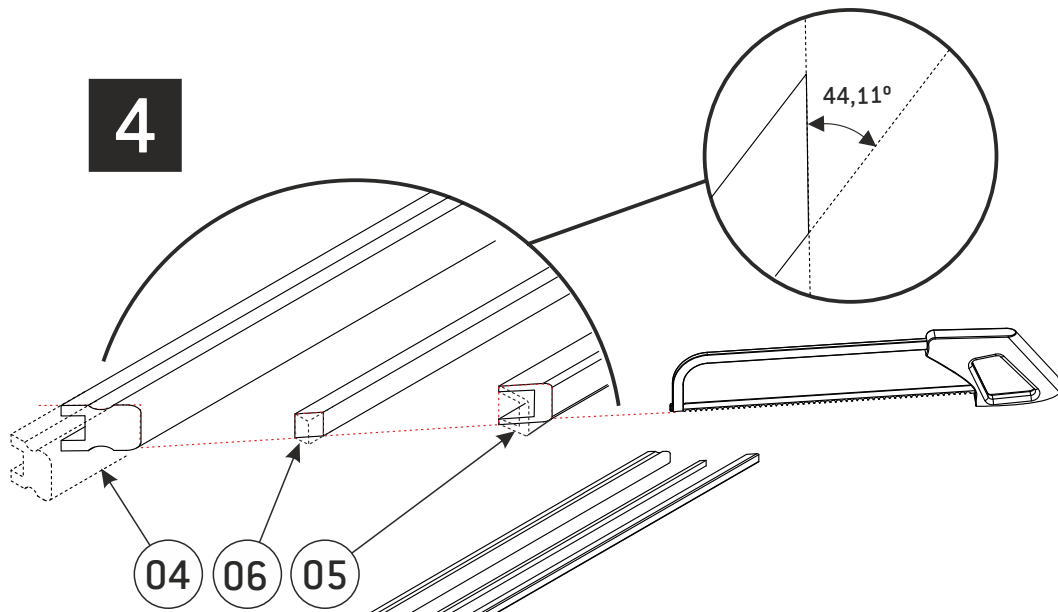
01 70x70x1284 mm x1	02 70x70x1214 mm x1	03 44x44x831 mm x18	04 50x50x3800 mm x1	05 32x54x3800 x1	06 26x16x3800 mm x1	07 16x25x153 mm x2	09 04x45 mm x4+2	11 05x60 mm x4+2
						136,90 mm 		
						08 012x6 mm x12+2 	10 04x40 mm x62+2 	

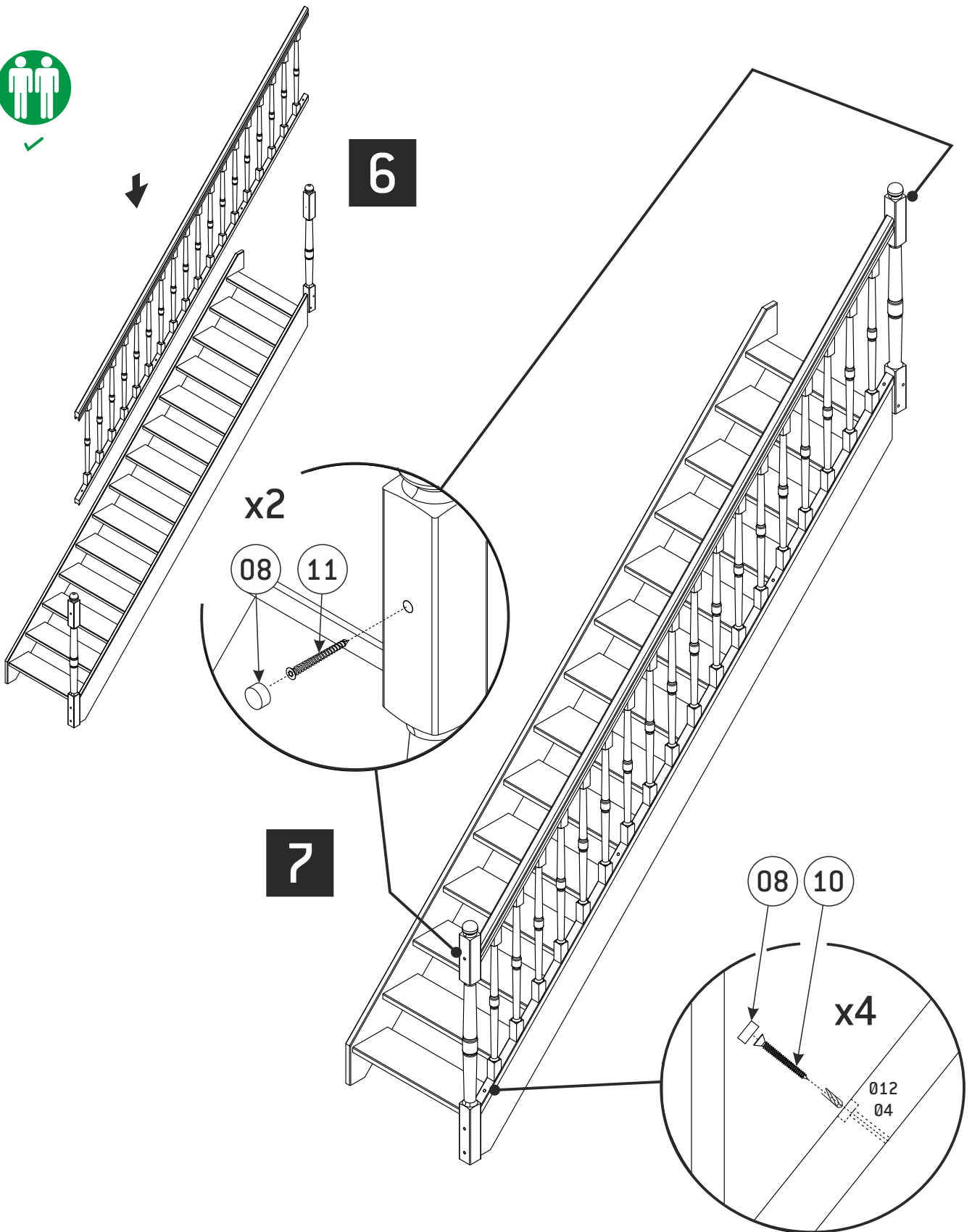


1









40 AVENUE DE L'ESPÉRANCE - 6220 FLEURUS - BELGIUM
TEL: +32/71/25.39.60, E-MAIL: info@sogem-sa.com